

The photograph may not match the reference exactly. Please read the product description to identify the finish.

TECHNICAL CHARACTERISTICS



Product Model:	D-160LED40-24	D-160LED60-24	D-160LED80-36	D-160LED100-36
IP Protection degrees:	IP66	IP66	IP66	IP66
IK Protection degrees:	IK09	IK09	IK09	IK09
Light source:	24 x LED CREE / 24 x LUXEON 5050		36 x LED CREE / 36 x LUXEON 5050	
Total power consumption:	40W	60W	80W	100W
Luminous Flux	4600-5600Lm	6900-8100Lm	9600-10800Lm	11500-13000Lm
Luminous efficiency:	115-140Lm/w			
Color temperature:	4000K as standard. Optinal 2700K,3000K & 5700K. Amber LED available			
Voltage/Frequency:	100-240V/50-60Hz			
Warranty(Years):	5			
Units per box	1			
Net Weight(Kg)	9	9	9	9.2

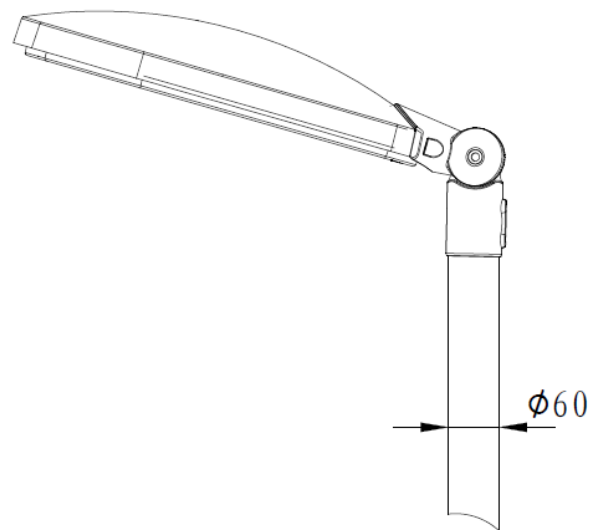
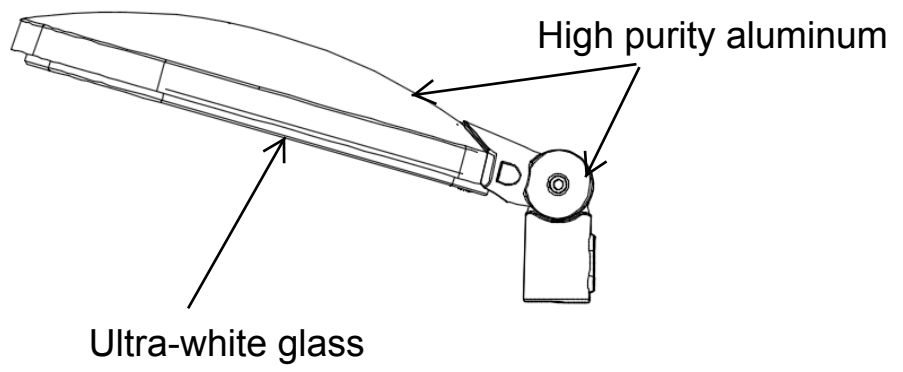
MATERIALS / FINISHES

Structure material: High purity aluminium	aiffuser material: PC
Structure finish: Silver	Diffuser finish: Matt

GEAR

Multi-voltage electronic gear included (110-240 V / 50-60 Hz)

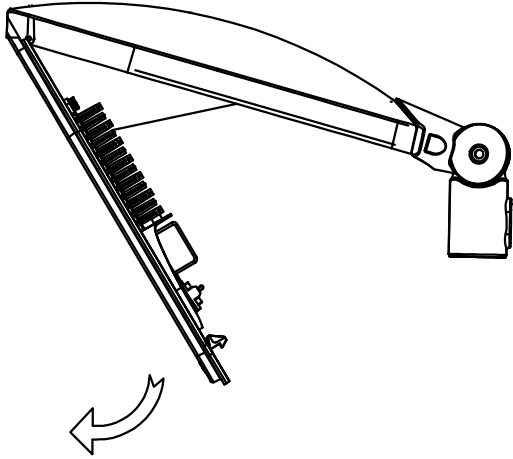
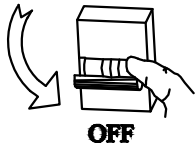
Lm^(N): Nominal flow of light in actual working conditions. Its actual flow will depend on the environmental conditions and the efficiency of the optics and/or diffuser.



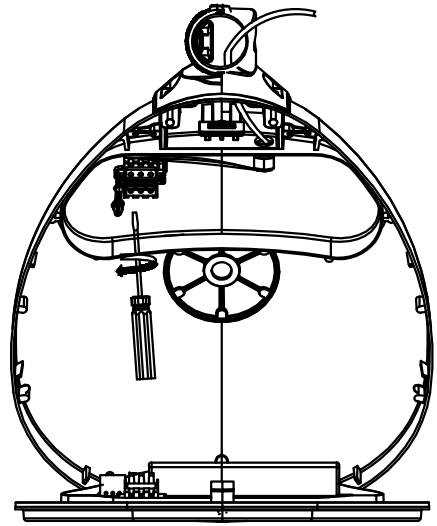
installation template

OUTDOOR

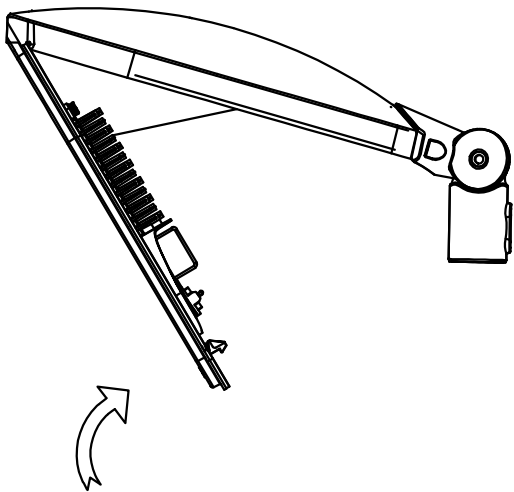
①



②



③



④

